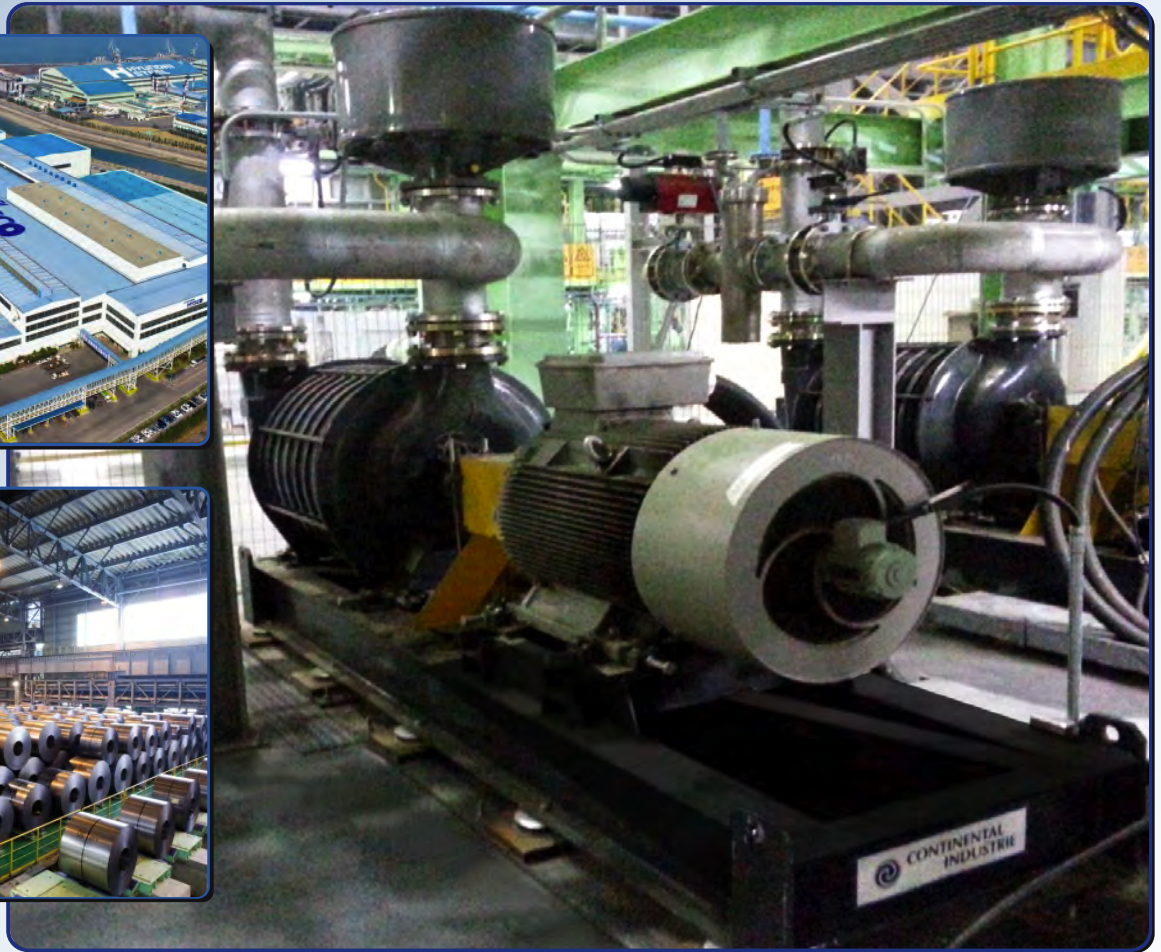


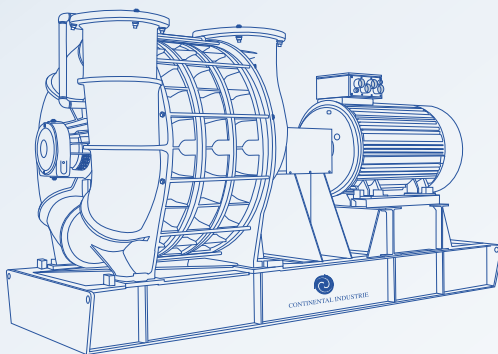


APPLICATIONS

AIR - KNIFE



Hynduai Hysco Galvanization Plant, processing up to 1.35 million tons of steel per year



EQUIPMENT

2 Multistage Centrifugal Blower type 077A.08

Flow: 5.800 m³/h

Motor: 200 Kw

Pressure: 40 kPa

START UP - 2013



SITE - Seoul, Korea / CUSTOMER - Hynduai Hysco



CONTINENTAL INDUSTRIE
www.continental-industrie.com

Ref. AIRK-001